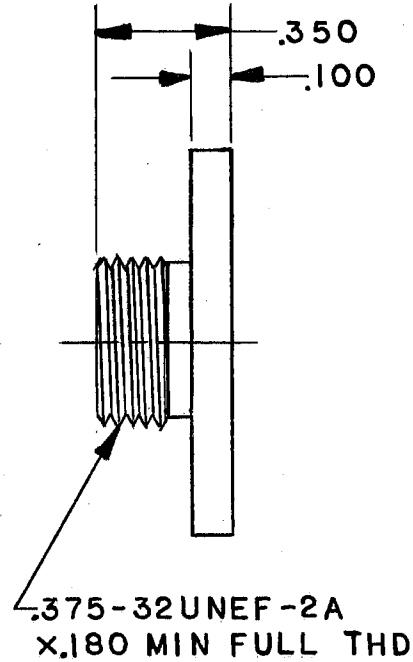
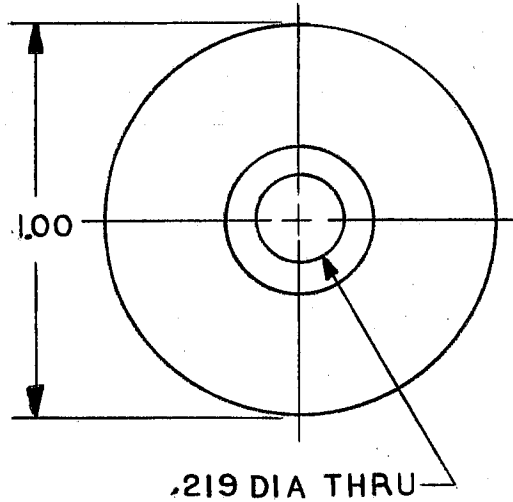


DATA CONTAINED IN THIS DOCUMENT IS PROPRIETARY TO TROMPETER ELECTRONICS INC. AND SHALL NOT BE DISCLOSED, COPIED OR USED FOR PROCUREMENT OR MANUFACTURE WITHOUT EXPRESS WRITTEN PERMISSION.

REVISIONS			0100-0033		SH
REV	EO	DESCRIPTION	DWN	APPROVED	DATE



3. ASSEMBLY TOOL, USED FOR  
CABLE INSERTION INTO PL130CP-N

2. TFS-1D

1. TFS-4

QTY	DESCRIPTION		PART NUMBER	ITEM		
TOL UNLESS SPECIFIED .XX ±.010 .XXX ±.005 .XXXX ± ANGLES ±			<b>TROMPETER ELECTRONICS, INC.</b>			
					AT3	
DWN	CLS	12-23-80	MATERIAL	CODE IDENT	DRAWING NO.	REV
CHK	<i>JFD</i>	12-24-80	1 / 2 H BRASS	<b>14949</b>	0100-0033	
ENGR			SCALE 2 / 1		DATE 1-5-81	SHEET
APPR	<i>[Signature]</i>	12-24-80				
NEXT ASSY						