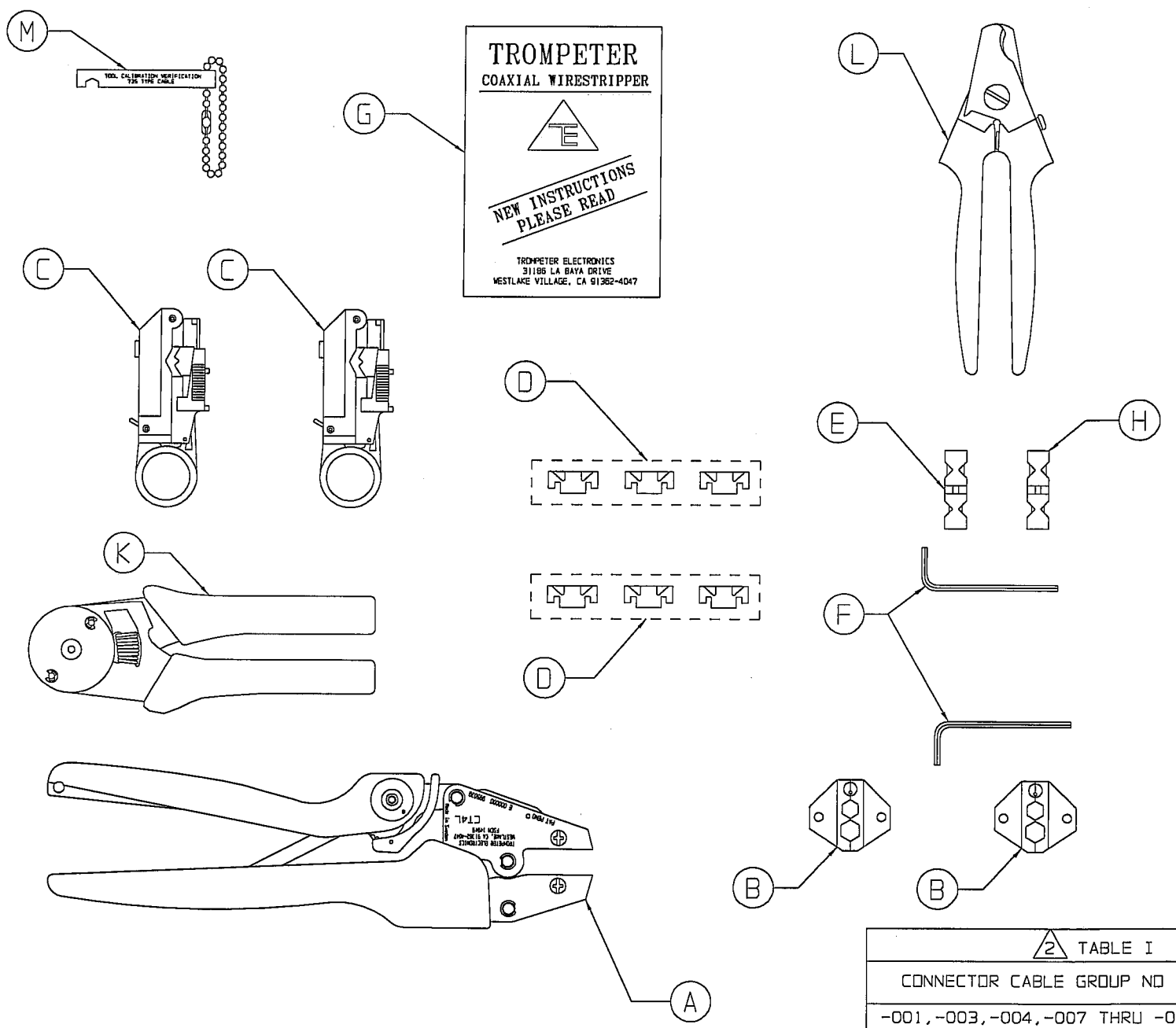
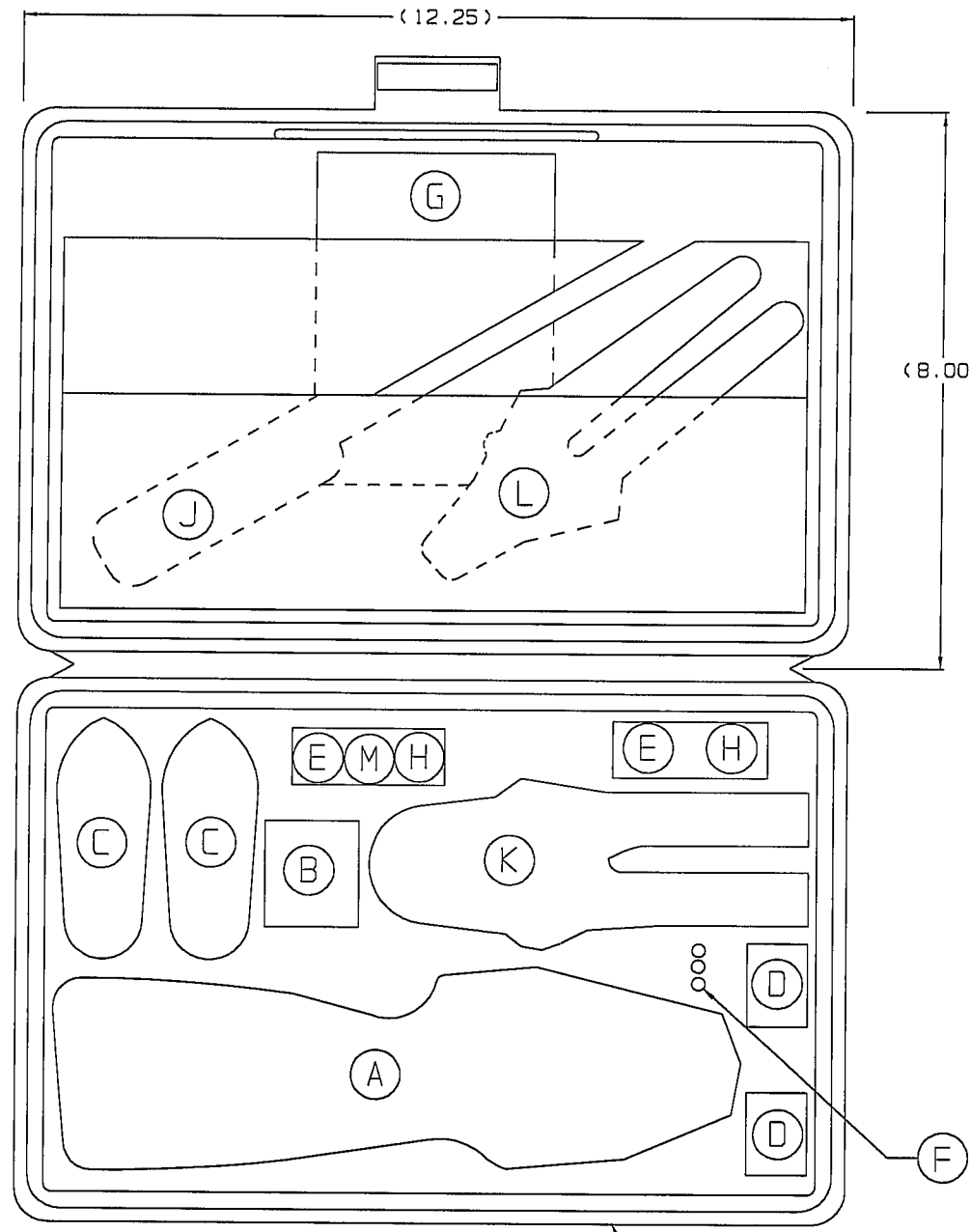


DATA CONTAINED IN THIS DOCUMENT IS PROPRIETARY TO TROMPETER ELECTRONICS, INC. AND SHALL NOT BE DISCLOSED, COPIED OR USED FOR PROCUREMENT OR MANUFACTURE WITHOUT EXPRESS WRITTEN PERMISSION OF TROMPETER ELECTRONICS, INC.

REVISIONS		010-0081	SH 1
REV	DESCRIPTION	DATE	APPROVED
B	REVISED PER ECO 15056	6/5/03	WJ

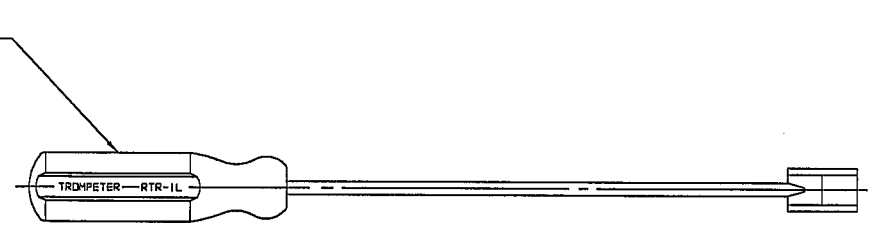


RED INDICATES ORIGINAL

2 DIE SET DASH NO MUST MATCH WITH CONNECTOR CABLE GROUP NO PER TABLE I

1. (A) THRU (M) REPRESENTS LOCATION OF NOTED TOOLS IN RED BOX

TABLE I	
CONNECTOR CABLE GROUP NO	DIE SET DASH NO
-001, -003, -004, -007 THRU -010 -011, -012, -021	CD3-1
-013, -014, -016, -018, -019, -022 -023, -025	CD3-2



INTERPRET DRAWING PER MIL-STD-100 DIMENSIONS ARE IN INCHES AND INCLUDE FINISH THICKNESS UNLESS OTHERWISE SPECIFIED	TOL.: UNLESS SPECIFIED .XX .XXX .XXXX ANGLES MATERIAL:
DRAWN AAH DATE 6-3-03	CHECKED [Signature] DATE 6/4/03
QUALITY [Signature] DATE 6/5/03	HAND [Signature] DATE 6/5/03
APPROVED [Signature] DATE 6/5/03	FINISH:
CAD FILE NO. 010-0081B	DO NOT SCALE DWG

TROMPETER ELECTRONICS, INC.

TITLE: TK-2 TOOL KIT

SIZE B	CAGE CODE 14949	DRAWING NO. 010-0081	REV. B
SCALE NONE	DATE: 4-17-92	SHEET 1C	

NEXT ASSY	CAD FILE NO. 010-0081B	DO NOT SCALE DWG	SCALE NONE	DATE: 4-17-92	SHEET 1C
-----------	------------------------	------------------	------------	---------------	----------