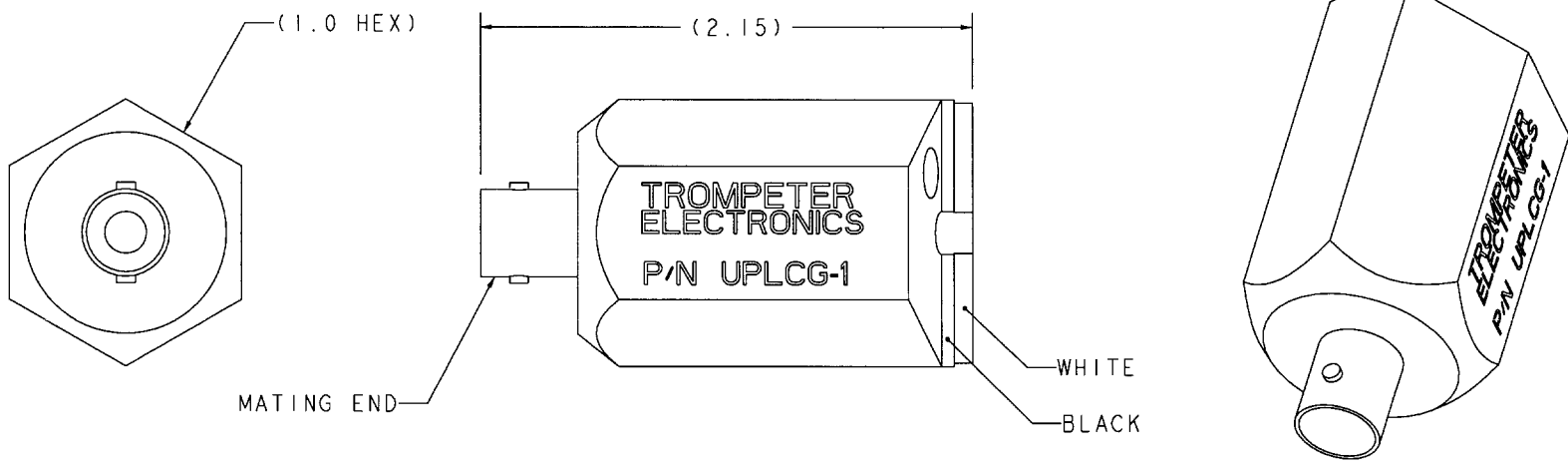


RED INDICATES ORIGINAL

DATA CONTAINED IN THIS DOCUMENT IS PROPRIETARY TO TROMPETER ELECTRONICS INC. AND SHALL NOT BE DISCLOSED, COPIED OR USED FOR PROCUREMENT OR MANUFACTURE WITHOUT EXPRESS WRITTEN PERMISSION				REVISIONS			010-0117	SH 1
REV	ECO NO.	DESCRIPTION	DWN	APPROVED	DATE			
B	11845	ADDED NOTE	5	SHT 2	M M	By: (Signature)	Date: (Signature)	



3. EXAMPLE OF COMPLETE MODEL NO.

UPLCG - 1

BASIC MODEL NO. DASH NO.

2. GAUGE MUST INDICATE WITHIN THE WHITE BAND WHEN MATED WITH CABLE PLUG

1. PIN HEIGHT CHECK GAUGE FOR TROMPETER 75Ω BNC PLUGS

QTY	DESCRIPTION			PART NUMBER		ITEM
TOL UNLESS SPECIFIED				TROMPETER ELECTRONICS, INC. ®		UPLCG
.XX ±	.005					
.XXX ±						
.XXXX ±						
ANGLE ±						
DWG	M.M.	11-07-96	MATERIAL	CODE IDENT	DRAWING NO.	REV
CHK	BM	4-9-97		14949	010-0117	B
ENGR						
NEXT ASSY	APPR	(Signature)	4/22/92	SCALE 2/1	DATE 08-24-96	SHEET 1 C