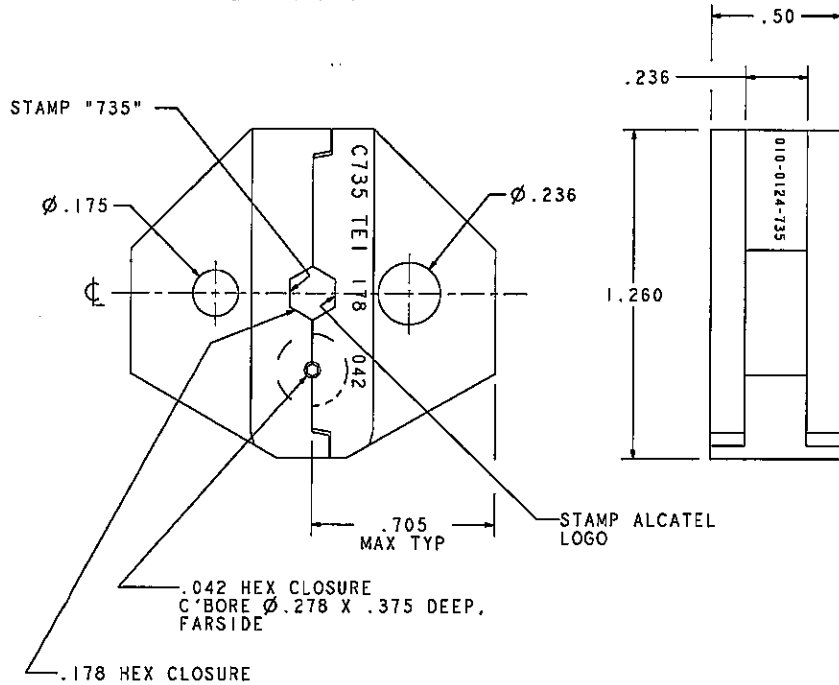


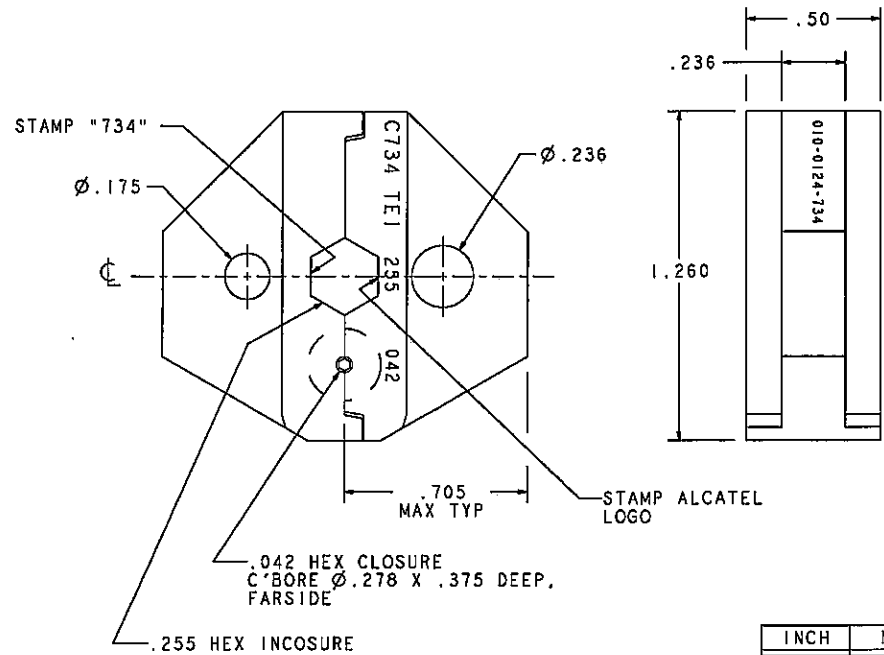
RED INDICATES ORIGINAL

DATA CONTAINED IN THIS DOCUMENT IS PROPRIETARY TO TROMPETER ELECTRONICS INC. AND SHALL NOT BE DISCLOSED, COPIED OR USED FOR PROCUREMENT OR MANUFACTURE WITHOUT EXPRESS WRITTEN PERMISSION.

REVISIONS				010-0124	SH 1
REV	ECO NO.	DESCRIPTION	DWN	APPROVED	DATE
F	12536	UPDATED WITH CHANGES; SEE ECO	JL	<i>[Signature]</i>	10/9/98



-735 SHOWN



-734 SHOWN

INCH	MM
.003	0.08
.02	0.51
.042	1.07
.175	4.45
.178	4.52
.236	5.99
.255	6.48
.278	7.06
.375	9.53
.50	12.70
.705	19.91
1.260	32.00

5. EXAMPLE OF COMPLETE PART NO: 010-0124-734

BASE P/N: 010-0124-734 CABLE TYPE: 734, 735 & RG59

- GAUGE HEX CLOSURES PER TGS-3
- CRIMP DIE SETS FOR USE WITH HAND CRIMP TOOL CT3, CT4, AND CT4L
- FINISH: BLACK OXIDE
- ALL DIMS ARE IN INCHES UNLESS OTHERWISE SPECIFIED AND ARE APPLICABLE TO BOTH DIE HALVES EXCEPT CRIMP DIMENSIONS WHICH ARE FOR DIE HALVES IN A MATED POSITION

QTY	DESCRIPTION	PART NUMBER	ITEM
TOL UNLESS SPECIFIED .XX ± .02 .XXX ± .003 ANGLE±		TROMPETER ELECTRONICS, INC.®	
		CD3 SPECIAL FOR ALCATEL	
DWG	JL 10-8-98	MATERIAL	CODE IDENT
CHK	<i>[Signature]</i> 10/8/98		14949
ENGR	JL 10/8/98	DRAWING NO.	REV
APPR	<i>[Signature]</i> 10/8/98	010-0124	F
NEXT ASSY	SCALE 3/1	DATE 7-18-96	SHEET 1C