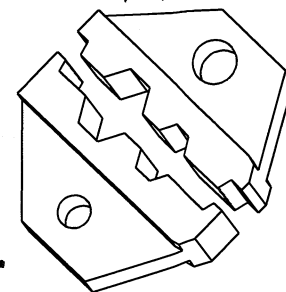


| DASH NO | STAMP A | DASH NO | STAMP A | DASH NO | STAMP A | DASH NO | STAMP A | DASH NO | STAMP A |
|---------|-------------------|---------|-------------------|---------|---------|---------|---------|---------|---------|
| -1 | CCMI | -39 | TLBU | -77 | ISAC | -115 | TIS | -153 | EDHC |
| -2 | TXI | -40 | TLBV | -78 | CNTL | -116 | NSA | -154 | CTS |
| -3 | ANS | -41 | TLBW | -79 | CMC | -117 | LEXC | -155 | GLWC |
| -4 | TCC | -42 | TLBX | -80 | TUG | -118 | SCI | -156 | NEC |
| -5 | FNC | -43 | TLBY | -81 | ARID | -119 | HCS | -157 | ENP |
| -6 | LISN | -44 | TLBZ | -82 | PGC | -120 | CMTC | -158 | TEK |
| -7 | APT | -45 | AXXX ³ | -83 | PCT | -121 | HUGH | -159 | CCII |
| -8 | TMTC | -46 | TCI | -84 | PKDG | -122 | DPI | -160 | TCM |
| -9 | TLB | -47 | LUCI | -85 | USCM | -123 | TRC | -161 | ACS |
| -10 | MCC | -48 | TLMS | -86 | IVC | -124 | TPS | -162 | TSS |
| -11 | JCI | -49 | TSIN | -87 | ICN | -125 | JET | -163 | TCS |
| -12 | TEI | -50 | MTS | -88 | SIS | -126 | TCSI | -164 | LUC |
| -13 | quad ³ | -51 | PIP | -89 | NCT | -127 | TSN | -165 | NAV |
| -14 | TTI | -52 | SCH | -90 | COMP | -128 | TPS1 | | |
| -15 | TSI | -53 | ITI | -91 | SCSP | -129 | SALT | | |
| -16 | TTC | -54 | BNI | -92 | PTL | -130 | NA02 | | |
| -17 | B/T | -55 | ADC | -93 | AGCS | -131 | NA03 | | |
| -18 | DTI | -56 | MMI | -94 | MTSI | -132 | NA04 | | |
| -19 | TLBA | -57 | TAG | -95 | BUTL | -133 | NA05 | | |
| -20 | TLBB | -58 | CTDI | -96 | PTI | -134 | NA06 | | |
| -21 | TLBC | -59 | MESO | -97 | CTDI | -135 | NA07 | | |
| -22 | TLBD | -60 | QTI | -98 | TORV | -136 | NA08 | | |
| -23 | TLBE | -61 | SUN | -99 | GIN | -137 | NA09 | | |
| -24 | TLBF | -62 | FTI | -100 | CCI | -138 | NA10 | | |
| -25 | TLBG | -63 | QCS | -101 | DLSW | -139 | ORIS | | |
| -26 | TLBH | -64 | AZT | -102 | GAL | -140 | FCOM | | |
| -27 | TLBI | -65 | L&RC | -103 | HT | -141 | MTZ | | |
| -28 | TLBJ | -66 | FDS | -104 | QRV | -142 | USE | | |
| -29 | TLBK | -67 | ALTA | -105 | ATI | -143 | RCI | | |
| -30 | TLBL | -68 | STI | -106 | BTN | -144 | NNS | | |
| -31 | TLBM | -69 | ATS | -107 | PNS | -145 | VTG | | |
| -32 | TLBN | -70 | JTCI | -108 | PCNS | -146 | SBCD | | |
| -33 | TLBO | -71 | AERO | -109 | NSC | -147 | SBC | | |
| -34 | TLBP | -72 | TAD | -110 | RLCI | -148 | GNI | | |
| -35 | TLBQ | -73 | INT | -111 | TTDG | -149 | TLMN | | |
| -36 | TLBR | -74 | ---- | -112 | TNS | -150 | AFL | | |
| -37 | TLBS | -75 | ---- | -113 | TQ | -151 | GLC | | |
| -38 | TLBT | -76 | ---- | -114 | TIE | -152 | PVT | | |

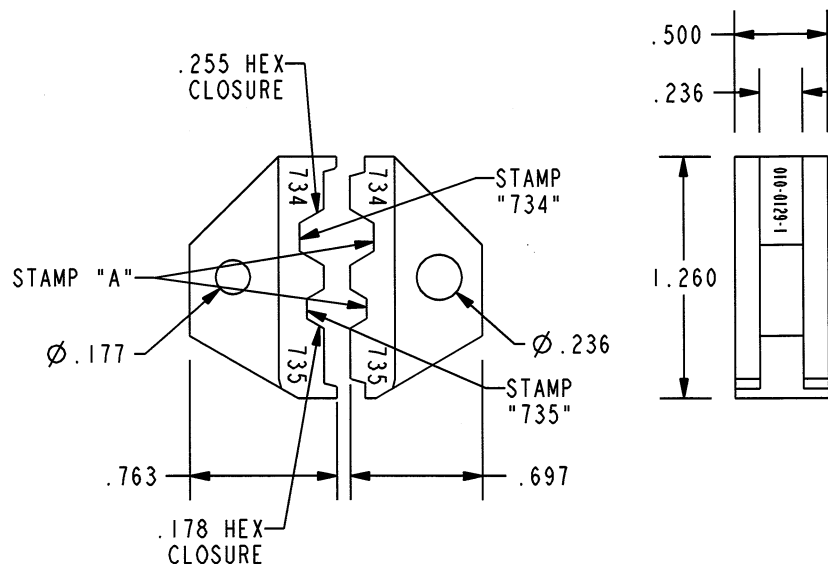
DATA CONTAINED IN THIS DOCUMENT IS PROPRIETARY TO TROMPETER ELECTRONICS INC. AND SHALL NOT BE DISCLOSED, COPIED OR USED FOR PROCUREMENT OR MANUFACTURE WITHOUT EXPRESS WRITTEN PERMISSION.

| REVISIONS | | | |
|-----------|------------------------|----------|----------|
| REV | DESCRIPTIONS | DATE | APPROVED |
| CB | REVISED PER ECO# 16761 | 10/10/98 | LMC |

RED INDICATES ORIGINAL



SCALE 1/1



- 1 SHOWN

△ XXX IS A SEQUENTIAL NUMBER FROM 001 TO 999 WHICH IS ASSIGNED AND MANAGED BY TEI PURCHASING

4. CABLE GROUPS ACCOMMODATED ARE: -025 (.255), -026 (.178).

△ DIE IS TO BE LASER ETCHED WITH THE WORD "quad" IN BOTH CAVITIES. THE WORD "quad" IS TO BE LOWER CASE GOTHIC LETTERS IF POSSIBLE.

2. GAUGE HEX CLOSURES PER TGS-3

1. CRIMP DIE SETS FOR USE WITH HAND CRIMP TOOL (CT3, CT4, AND CT4L). THESE DIES ARE EQUIVALENT TO CD3-19 EXCEPT MARKED PER TABLE.

NOTES: UNLESS OTHERWISE SPECIFIED.

| | | | | | |
|--|---------------------------|--|-------------------------|-------------|--------------------|
| INTERPRET DRAWING PER MIL-STD-100. DIMENSIONS ARE IN INCHES AND INCLUDE FINISH THICKNESS UNLESS OTHERWISE SPECIFIED. | | TOL: UNLESS SPECIFIED. .XX ± .02 .XXX ± .010 ANGLE ± 1° | | | |
| DRN M JOHNSON | 10-8-08 | MATERIAL: | TITLE: | | |
| CHK EJK | 10-10-08 | FINISH: BLACK OXIDE | CD3-19 SPECIAL | SIZE A | CAGE CODE 14949 |
| QUALITY | | | DRAWING NO. 010-0129 | REV. CC | |
| MANUF | | | DATE 5-2-97 | SHEET IC | |
| APPROVED LMC | 10/10/98 | DO NOT SCALE DWG | SCALE 1/1 | | |
| NEXT ASSY | PROJ FILE NO. 010-0129 | | | | |