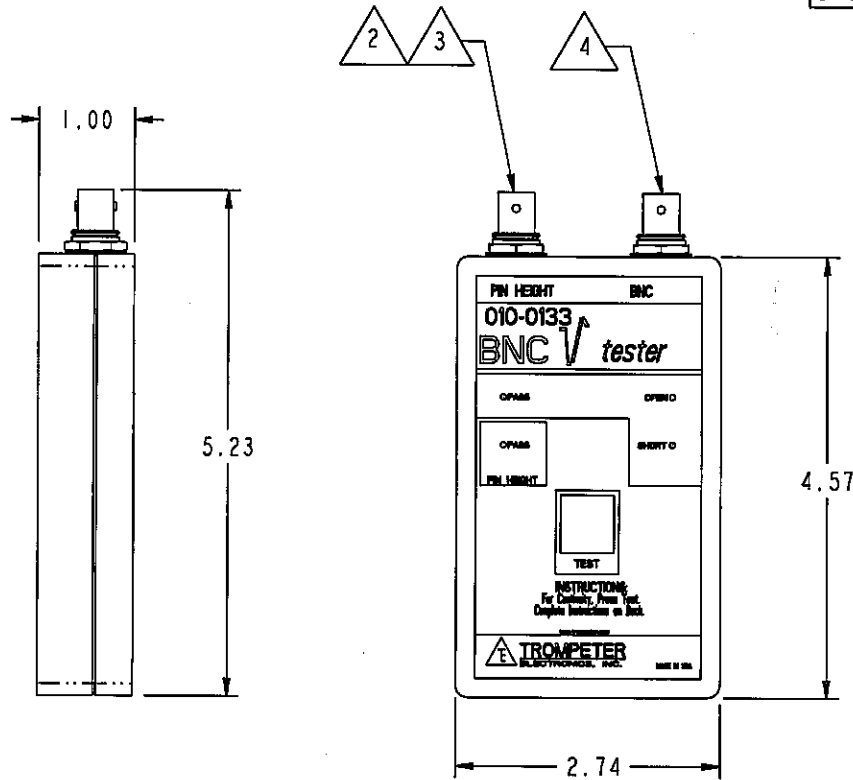
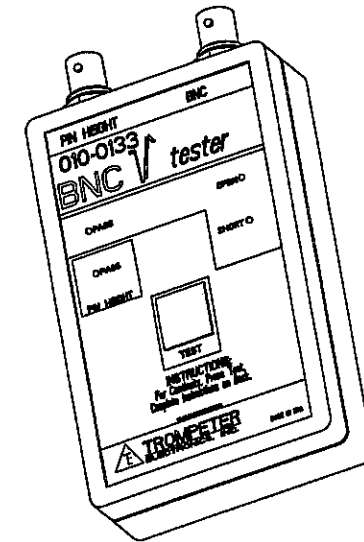


DATA CONTAINED IN THIS DOCUMENT IS PROPRIETARY TO TROMPETER ELECTRONICS INC. AND SHALL NOT BE DISCLOSED, COPIED OR USED FOR PROCUREMENT OR MANUFACTURE WITHOUT EXPRESS WRITTEN PERMISSION.

REVISIONS			
REV	DESCRIPTIONS	DATE	APPROVED
E	REVISED PER ECO 15314	11/30/04	<i>[Signature]</i>



**RED INDICATES ORIGINAL**



- △ 4 USE 105-1885 ADAPTER FOR TESTING MINI-WECO CONNECTOR
- △ 3 USE 010-0133-101 GO/NO-GO GAGE TO ASSURE PROPER CALIBRATION OF PIN HEIGHT TESTER
- △ 2 PIN HEIGHT TO INDICATE "PASS" WHEN CONTACT IS .034 (MIN) SET BACK BEHIND SPRING FINGER; "FAIL" WHEN CONTACT IS .039 (MAX) SET BACK BEHIND SPRING FINGER

1. TESTER FOR PROPER ASSEMBLY OF BNC COAXIAL PLUGS, WITH CAPABILITY OF DETECTING CENTER CONTACT PIN HEIGHT, CONTINUITY, AND SHORT OR OPEN CIRCUIT

NOTES: UNLESS OTHERWISE SPECIFIED.

INTERPRET DRAWING PER MIL-STD-100. DIMENSIONS ARE IN INCHES AND INCLUDE FINISH THICKNESS UNLESS OTHERWISE SPECIFIED.		TOL: UNLESS SPECIFIED. .XX ± .06					
DRN L.M. 1-28-04 CHR T.Sha 1-29-04 QUANT WS 1/30/04 MAINT WS 1/30/04 APPROVED WS 1/30/04		MATERIAL: FINISH:				TITLE: BNC TESTER (ELECTRICAL)	
NEXT ASSY		DO NOT SCALE DWG		SIZE A	CAGE CODE 14949	DRAWING NO. 010-0133	REV. E
PROJE FILE NO. 010-0133		SCALE 1/1		DATE 12-17-97		SHEET 1 OF 3	