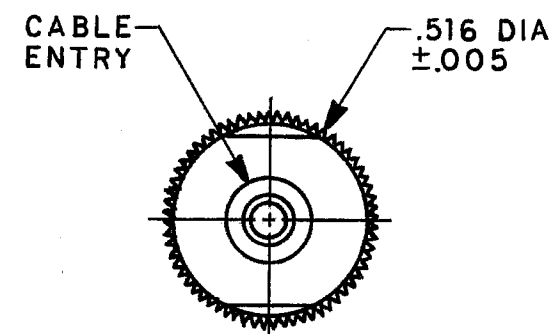
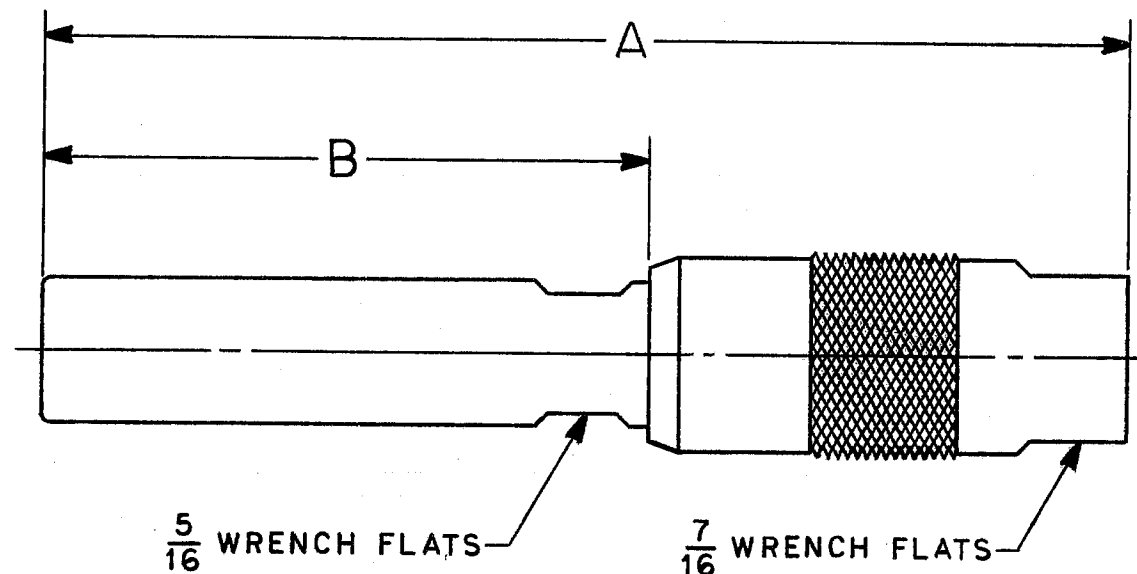


DASH NO	MODEL NO	PIN DIA	CABLE ACCOMMODATED	A DIM	B DIM
-3	PL4	.070 (RCA)	RG-223	2.800	1.568
-W3	PLW4	.090 (W.E. CO.)		2.520	1.288

DATA CONTAINED IN THIS DOCUMENT IS PROPRIETARY TO TROMPETER ELECTRONICS INC. AND SHALL NOT BE DISCLOSED, COPIED OR USED FOR PROCUREMENT OR MANUFACTURE WITHOUT EXPRESS WRITTEN PERMISSION.

REVISIONS			1000-0006 SH 1		
REV	EO	DESCRIPTION	DWN	APPROVED	DATE
J	6830	REACTIVATED & REDWN	CKH	<i>[Signature]</i>	1-13-86



-3 SHOWN

INCH	MM
.005	0.13
.030	0.76
.070	1.78
.090	2.29
.375	9.53
.516	13.11
1.288	32.72
1.568	39.83
2.520	64.01
2.800	71.12

4. ASSEMBLE PER TAI-148
3. COAXIAL STANDARD (.375 SIZE) PATCH PLUG
2. FINISH: TFS-1A(NICKEL)
1. ALL DIM ARE IN INCHES

QTY	DESCRIPTION		PART NUMBER		ITEM
TOL UNLESS SPECIFIED .XX ± .XXX ±.030 .XXXX± ANGLES±			TROMPETER ELECTRONICS, INC.		PL4/PLW4
DWN	CKH	11-15-85	MATERIAL	CODE IDENT	DRAWING NO.
CHK	<i>[Signature]</i>	12-24-85	—	14949	1000-0006
ENGR	<i>[Signature]</i>	1-9-86	SCALE 2/1	DATE 12-6-66	REV J
APPR	<i>[Signature]</i>	1-13-86	SHEET 1 OF 2		

NEXT ASSY