

DATA CONTAINED IN THIS DOCUMENT IS PROPRIETARY TO TROMPETER ELECTRONICS INC. AND SHALL NOT BE DISCLOSED, COPIED OR USED FOR PROCUREMENT OR MANUFACTURE WITHOUT EXPRESS WRITTEN PERMISSION.

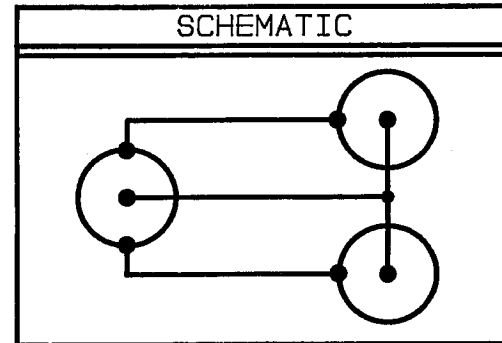
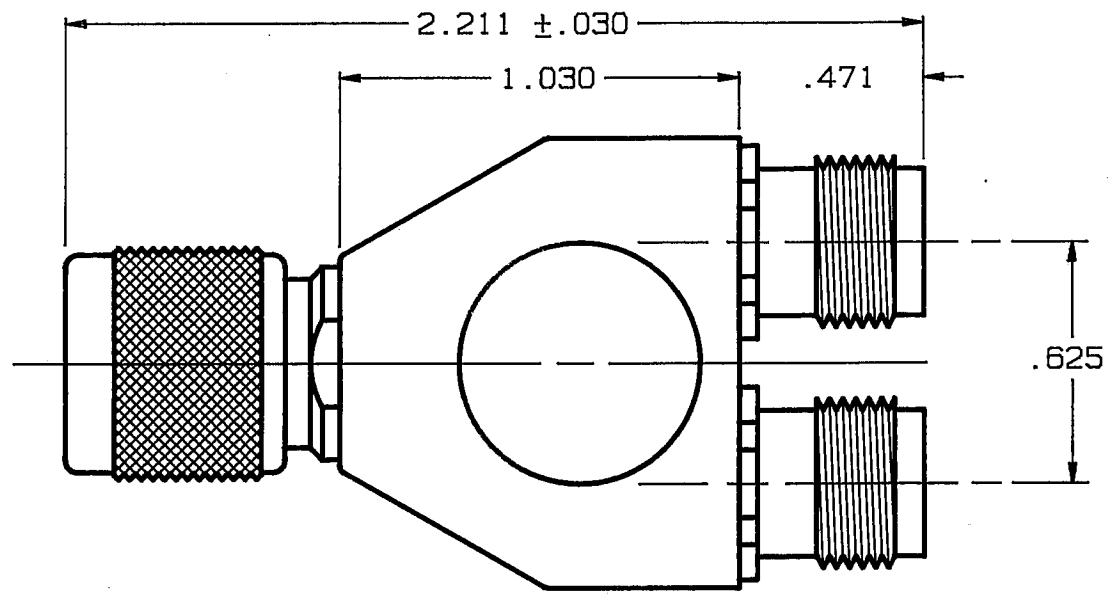
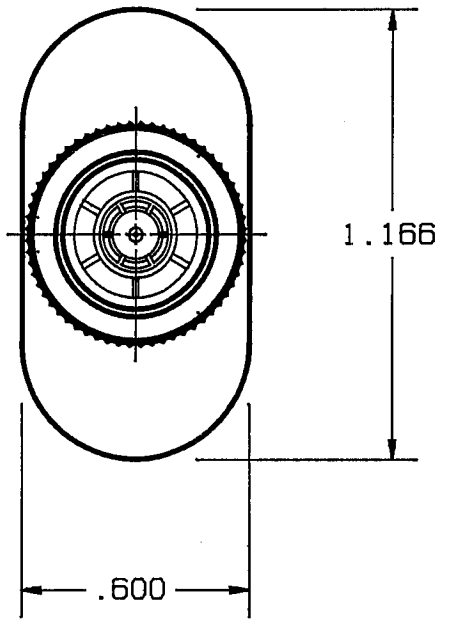
DWG SIZE
A

DISK #
C 8

REVISIONS			1-0027		SH 1
REV	EO	DESCRIPTION	DWN	APPROVED	DATE
C	9459	SH 2. L/M ADDED NOTE [1] TO ITEMS 1 THRU 4	J S	B.M; <i>[Signature]</i>	9-19-91

DASH NO	MODEL NO	OHMS
-1	PN2A-TNC	50
-2	UPN2A-TNC	75

INCH	MM
.005	0.13
.030	0.76
.471	11.96
.600	15.24
.625	15.88
1.030	26.16
1.166	29.62
2.211	56.16



2. FINISH: TFS-1A (NICKEL)

1. ALL DIM ARE IN INCHES

NEXT ASSY

QTY	DESCRIPTION		PART NUMBER		ITEM
TOL UNLESS SPECIFIED .XX ± .XXX ± .005 .XXXX ± ANGLES ±			TROMPETER ELECTRONICS, INC.		U/PN2A-TNC
DWN	J S	9/11/91	MATERIAL	CODE IDENT	DRAWING NO.
CHK	B.M.	9/12/91	—	14949	1-0027
ENGR					C
APPR	<i>[Signature]</i>	9-19-91	SCALE 2/1	DATE 6/3/69	SHEET 1 OF 2