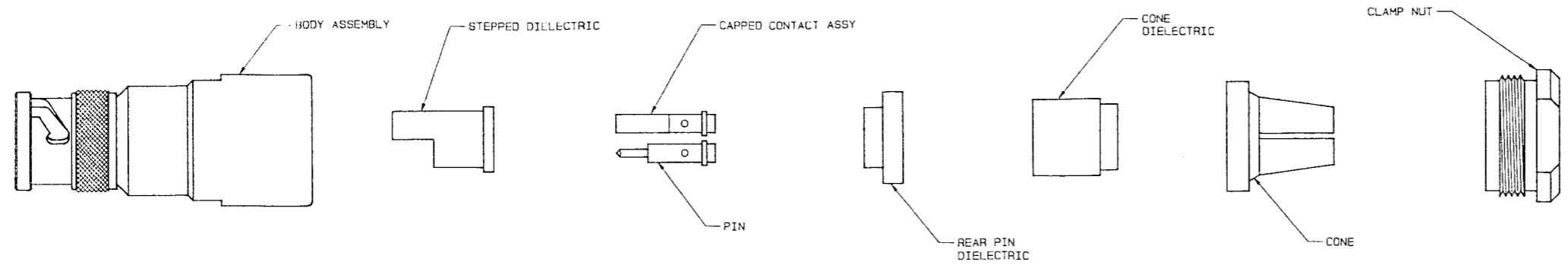
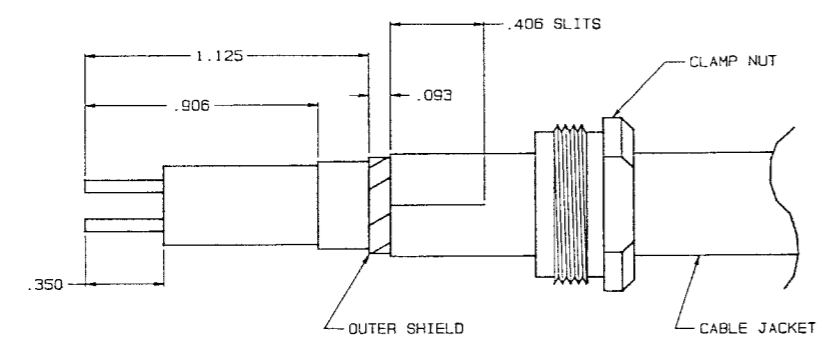


|   |    |             |     |          |      |
|---|----|-------------|-----|----------|------|
| DATA CONTAINED IN THIS DOCUMENT IS PROPRIETARY TO TROMPETER ELECTRONICS INC. AND SHALL NOT BE DISCLOSED, COPIED OR USED FOR REPRODUCTION OR MANUFACTURE WITHOUT EXPRESS WRITTEN PERMISSION. |    | REVISONS    |     | TAI-139  | SH   |
| REV   | EO | DESCRIPTION | OWN | APPROVED | DATE |



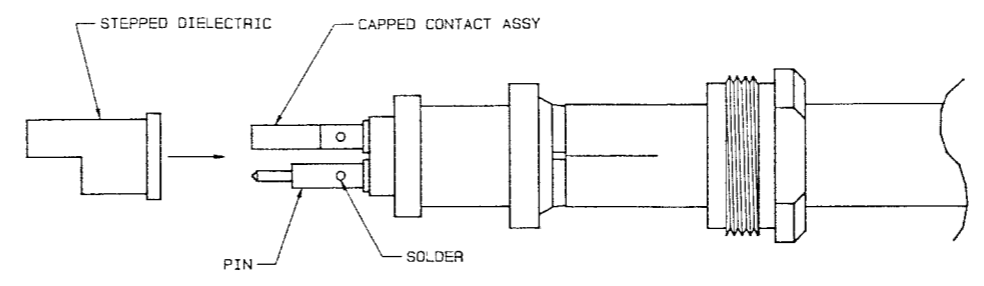
RED INDICATES ORIGINAL

STEP 1



- A. PLACE CLAMP NUT ONTO CABLE
- B. STRIP CABLE AS SHOWN. JACKET SLITS (2) 180° APART TO EASE CONE INSTALLATION (WARMING JACKET WITH HEAT GUN ALSO EFFECTIVE)
- C. LIGHTLY TIN CONDUCTORS

STEP 3



- A. INSTALL CONTACTS (PIN & CAPPED CONTACT ASSY) OVER THE TWO CONDUCTORS AND INTO THE HOLES IN THE REAR PIN DIELECTRIC AND SOLDER IN PLACE WITH CONTACTS SEATED AGAINST REAR PIN DIELECTRIC
- B. PLACE STEPPED DIELECTRIC OVER CONTACTS WITH PIN EXPOSED ABOVE THE SHORT STEP

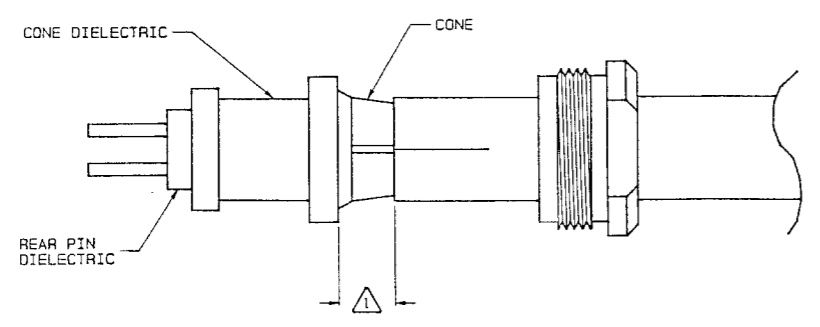
ASSEMBLY INSTRUCTIONS

PL30 LARGE BODY SERIES  
CONCENTRIC TWINAX CONNECTORS  
TO  
TWINAX CABLE

TROMPETER ELECTRONICS INC.  
31185 LA BAYA DR. WESTLAKE VILLAGE, CA 91362-4047  
(818) 707-2020 TWX: 910-494-1210  
FAX: (818) 706-1040  
MFG. CODE NO. 14949

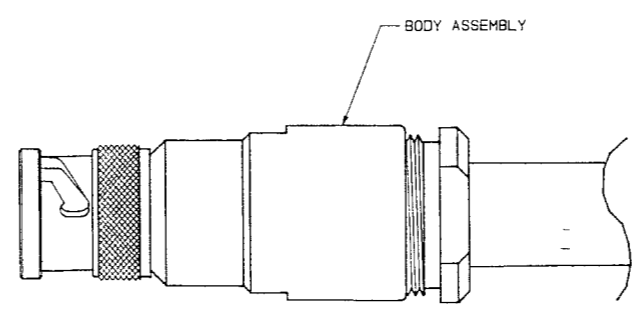
TAI-139

STEP 2



- A. INSTALL CONE AND CONE DIELECTRIC OVER SHIELD AND UNDER CABLE JACKET UNTIL REAR TAPERED PORTION OF CONE IS COVERED
- B. PLACE REAR PIN DIELECTRIC OVER CONDUCTORS AND BOTTOM AGAINST CONE DIELECTRIC

STEP 4



- A. INSTALL ENTIRE ASSEMBLY INTO BODY ASSEMBLY. BRING UP CLAMP NUT AND ENGAGE THREADS
- B. WRENCH TIGHTEN TO 30-40 IN LB TORQUE

ASSEMBLY INSTRUCTIONS

PL30 LARGE BODY SERIES  
(SEE REVERSE)

- PRODUCTS**
- PATCH PANELS, PATCH CORDS, JACKS, LOOPING PLUGS
  - POWER DIVIDERS, RF CONNECTORS
  - TWINAX, TRIAX, QUADRIX COMPONENTS
  - SYSTEMS

- APPLICATIONS**
- COMPUTERS - TV BROADCAST - CATV - CCTV - ETV
  - COMMUNICATIONS - TELEPHONE - TELEMETRY
  - AIRCRAFT - NUCLEAR AND INDUSTRIAL
  - INSTRUMENTATION
  - PROCESS CONTROLS - SECURITY EQUIPMENT
  - AUTOMATIC TESTING - INFORMATION RETRIEVAL
  - MICROWAVE DATA TRANSMISSION

| QTY                                    | DESCRIPTION  | PART NUMBER | ITEM     |            |             |     |
|--|--|-------------|----------|------------|-------------|-----|
| TQ. UNLESS SPECIFIED                   | TROMPETER ELECTRONICS, INC. PL30 LARGE BODY SERIES TO TWINAX CABLE |             |          |            |             |     |
| .XX ±<br>.XXX ±<br>.XXXX ±<br>ANGLES ± |  |             |          |            |             |     |
| OWN                                    | AAH  | 2-22-89     | MATERIAL | CODE IDENT | DRAWING NO. | REV |
| CHK                                    | ULK  | 3/1/89      | 14949    | TAI-139    |             |     |
| ENGR                                   | WJ   | 3/3/89      |          |            |             |     |
| APPR                                   | A  | 2/1/89      |          |            |             |     |
| NEXT ASSY                              |  |             | SCALE    | DATE       | SHEET       |     |